

4

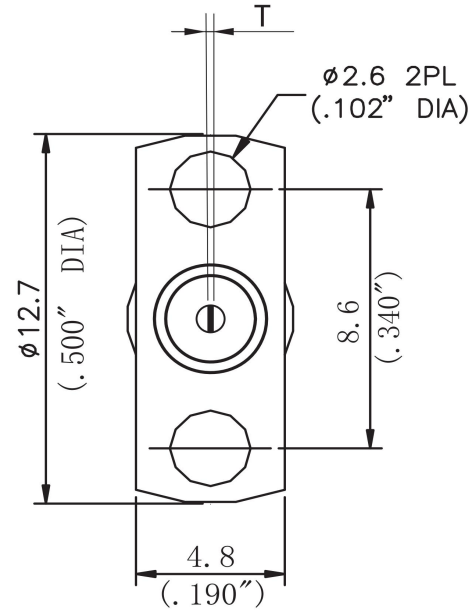
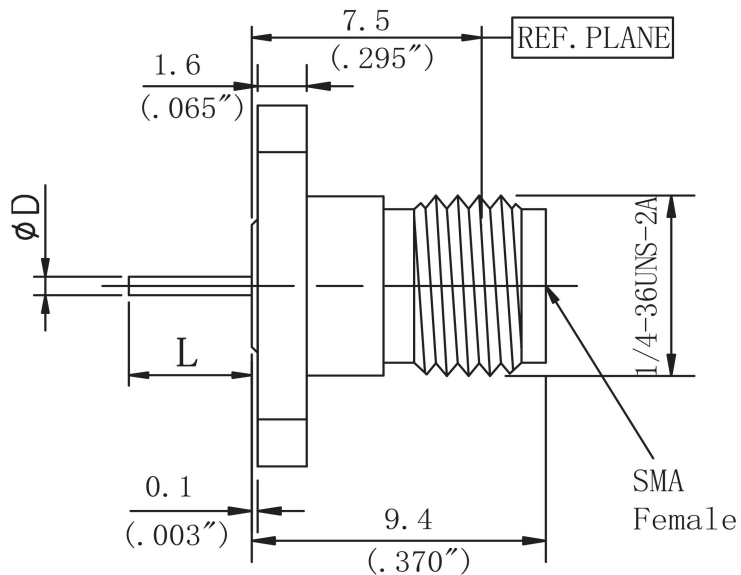
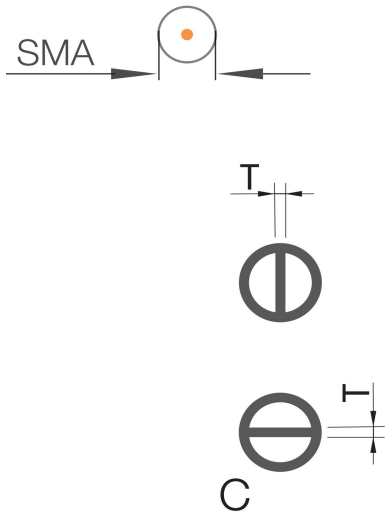
3

2

1

THIS DRAWING UNPUBLISHED.	RELEASED FOR PUBUCATION
---------------------------	-------------------------

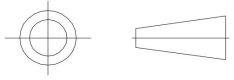
LOC	DIST	REVISIONS					
---	---	P	LTR		DATE	DWN	APVD
		---	---	---	---	---	---



- NOTES:
- ELECTRICAL:
 - IMPEDANCE: 50Ω
 - INSULATION RESISTANCE: 5000M Ω
 - FREQUENCY RANGE: DC-27 GHz
 - DIELECTRIC WITHSTANDING VOLTAGE: 1000V MAX AT SEA LEVEL
 - VSWR: ≤1.15:1
 - INSERTION LOSS: 0.25dB (MAX)
 - ENVIRONMENTAL:
 - TEMPERATURE RANGE: -55° to +165°
 - MATERIAL AND FINISH:
 - INNER CONDUCTOR MATERIAL: BERYLLIUM BRONZE GOLD PLATING
 - EXTERNAL CONDUCTOR MATERIAL: STAINLESS STEEL PASSIVATED
 - INSULATOR: PTFE

MODEL	ØD	L	T
XQY-SAFT14F07-M	1.27mm/0.050"	1.27mm/0.050"	0.15mm/0.006"
XQY-SAFT14F07C-M	1.27mm/0.050"	1.27mm/0.050"	0.15mm/0.006"
Accept custom sizes and styles			

- ENVIRONMENTAL:
 - TEMPERATURE RANGE: -55° to +165°
- MATERIAL AND FINISH:
 - INNER CONDUCTOR MATERIAL: BERYLLIUM BRONZE GOLD PLATING
 - EXTERNAL CONDUCTOR MATERIAL: STAINLESS STEEL PASSIVATED
 - INSULATOR: PTFE

THIS DRAWING IS A CONTROLLED DOCUMENT		21/10/2021	 Shenzhen xinqiyuan Technology Co., Ltd.	
		CHK		
DIMENSIONSMM		TOLERANCES UNLESS OTHERWISE SPECIFIED: ±0.1	NAME SMA Female RF Coaxial Connector	
		Note: Dimensions (mm / [inch]) --- WEIGHT ---	APPLICATION SPEC	
			Direct connection	
		SIZE A4	CAGE CODE 01021	DRAWING NO XQY-SAFT14F07-M

4

3

2

1